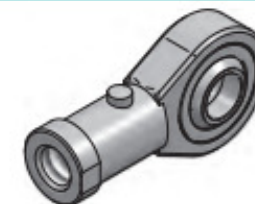
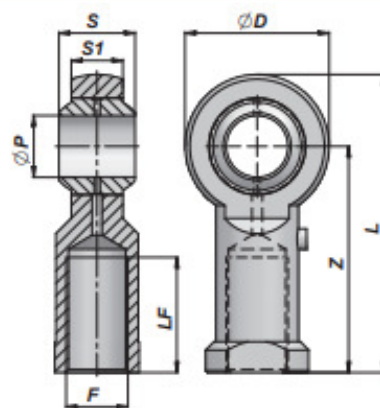


TERMINALE A SNODO RILUBRIFICABILE
BALL-JOINT END WITH GREASE NIPPLE

NEW!

CSTFI...PB



Codice Code	ØP	Z	S	ØD	S1	L	F	LF	FC (kN)	kg
CSTF1205PB	5	27	8	16	6.0	35	M5x0.8	14	3.3	0,01
CSTF1206PB	6	30	9	18	6.7	39	M6x1	14	4.3	0,01
CSTF1208PB	8	36	12	22	9.0	47	M8x1.25	17	6.8	0,03
CSTF1210PB	10	43	14	26	10.5	56	M10x1.5	21	10.0	0,08
CSTF1212PB	12	50	16	30	12.0	65	M12x1.75	24	13.0	0,12
CSTF1214PB	14	57	19	34	13.5	74	M14x2	27	17.0	0,14
CSTF1216PB	16	64	21	38	15.0	83	M16x2	33	21.0	0,22
CSTF1218PB	18	71	23	42	16.5	92	M18x1.5	36	26.0	0,32
CSTF1220PB	20	77	25	48	18.0	100	M20x1.5	40	31.0	0,43
CSTF1222PB	22	84	28	50	20.0	109	M22x1.5	43	38.0	0,61
CSTF1225PB	25	94	31	60	22.0	124	M24x2	48	47.0	0,81
CSTF1228PB	28	103	35	66	25.0	136	M27x2	53	59.0	1,20
CSTF1230PB	30	110	37	70	25.0	145	M30x2	56	63.0	1,40

FC = CARICO DINAMICO AMMESSO - MAX DYNAMIC LOAD

MATERIALE : ACCIAIO ISO 12240-4 SERIE K - ISO 6126

MATERIAL : STEEL ISO 12240-4 SERIES K - ISO 6126